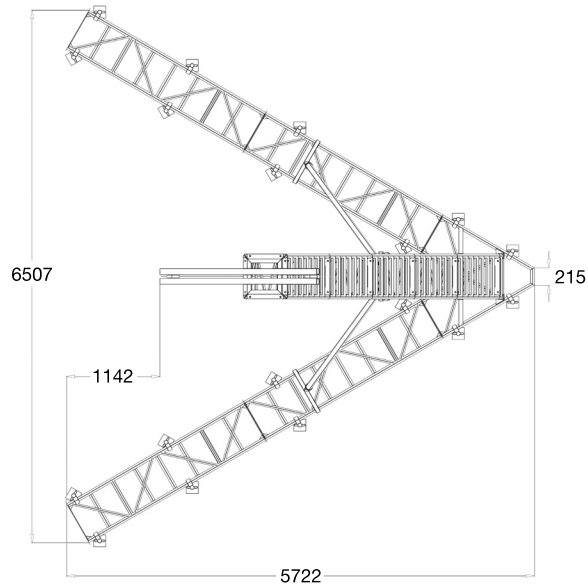
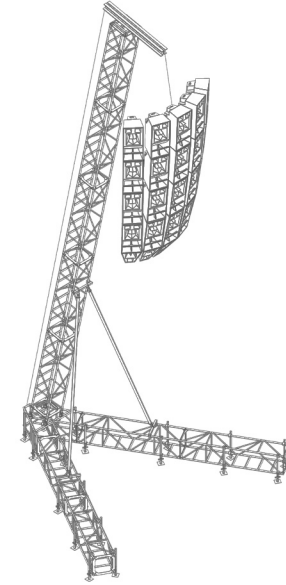


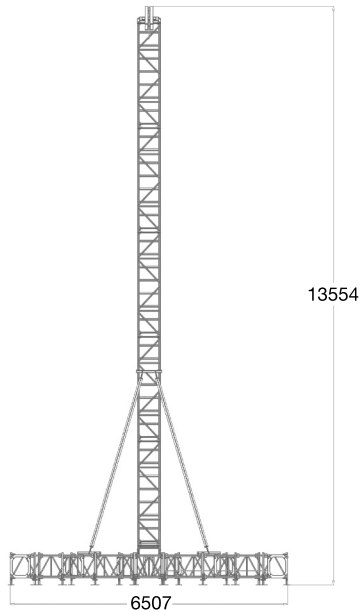
Plan



Isometric



Front



Side

